

TEN30WIN Series

30 Watt Single / Dual Output Models

TRACO POWER

4:1 Ultra-Wide Input Range Converters



CLICK HERE TO REQUEST
PRICE | DELIVERY | SAMPLE | SUPPORT

FEATURES:

Dimensions: 2.00 x 1.60 x 0.40"

- Smallest encapsulated 30 W converter
- 2" x 1" x 0.4" shielded metal package
- Ultra wide 4:1 input voltage range
- Single- dual- and triple output models
- Very high efficiency up to 89%
- Operating temperature range -40 °C to +75 °C
- I/O isolation 1500 VDC
- Short circuit protection
- Remote On/Off Adjustable output voltage
- 3 Year Warranty



INPUT SPECIFICATIONS:

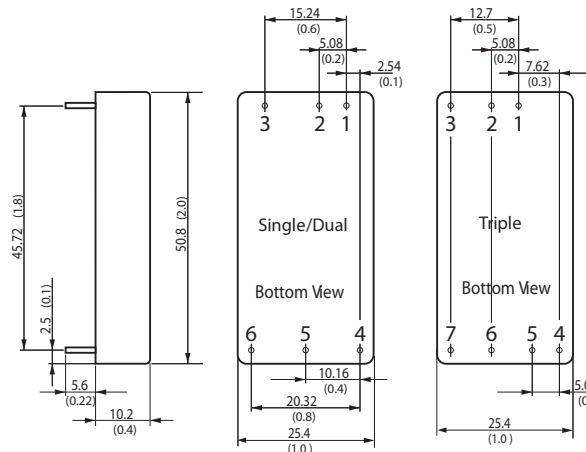
ISOLATION (I/O)	1500 VDC Input to Output
SETPOINT ACCURACY	±1%
TRIM RANGE	±10%
REGULATION	Line ±0.5% , Load ±0.5% Singles / 1% Duals
RIPPLE	Singles: <75 mV / Duals <100 mVpk-pk (20 MHz BW)
OVER CURRENT	150% of rated current max, Foldback
OVER VOLTAGE	120-140% of Nominal Voltage
SHORT CIRCUIT	Continuous, auto-recovery
OPERATING TEMPERATURE	-40 ~ +85°C (derate 3.3%/k > 60°C)
STORAGE TEMPERATURE	-55 ~ +105°C
COOLING	Free air Convection
WEIGHT	31g / 1.1oz.
SAFETY	UL/cUL 60950-1

DOWNLOADS:

Download Copy of this specification:
<http://www.powergatellc.com/TEN30WIN.pdf>

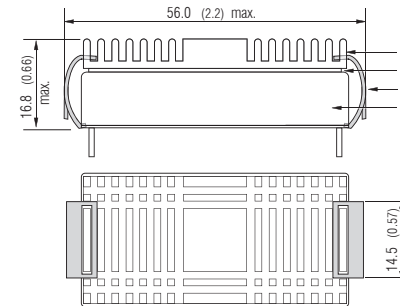
Detailed Spec:
<http://www.tracopower.com/products/ten30win.pdf>

OUTLINE DRAWING:



Pin	Pin-Out		
	Single	Dual	Triple
1	+Vin (Vcc)	+Vin (Vcc)	+Vin (Vcc)
2	-Vin (GND)	-Vin (GND)	-Vin (GND)
3	Remote On/Off	Remote On/Off	Remote On/Off
4	Output 1	Output 1	Output 2
5	Common	Common	Output 3
6	Trim	Output 2	Common
7	No pin	No pin	Output 1

TEN-HS1 (optional Heatsink Kit):
* Contains Clip, Thermal Pad & Sink
* Converter Label must be removed prior to clipping o gheatsink



* Specifications are subject to change without notice.