

SFCS15 Series

15 Watt Single Output High Efficiency DC/DC Converter

Cosel

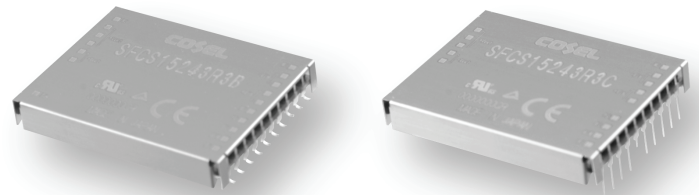
SMT or Through Hole Mount Package

1.54 x 1.16 x 0.27"

Features:



- High reliability - No aluminum and tantalum electrolytic capacitors
- Built-in Remote on/off Control
- Parallel operation
- SMD mounting type and through-hole mounting type
- High efficiency (synchronous rectifier circuit)
- Built-in Over Current / Over Voltage / Low Voltage Protection
- RoHS Compliant
- 5 Year Warranty



Specifications:

Isolation	1500 VDC Input to Iutput
Operating Temperature	-40 ~ +85°C Ambient (see instruction manual for derating)
Storage Temperature	-40 ~ +100°C
Set-Point Accuracy	+5 / -3%
Ripple / Noise	50mv for 1.2-5V / 150 mV for 12-15V Models
Regulation	see detailed spec
Voltage Adjust Range	Fixed
OverCurrent Protection	> 103% of rated current,
Status & Control	Remote on/off, DC Good & Sequencing
Weight	.035lb / 16g
Options	Mounting: B=PbFree Solder SMD C=Through Hole
Emissions	External Filtration Required
Safety Standards	<ul style="list-style-type: none"> • UL/cUL 60950-1 • EN60950-1 • CE Mark LVD

Models

Input

Output

SFCS15241R5	18-36	1.5 5.2A
SFCS15241R8	18-36	1.8 4.5A
SFCS15242R5	18-36	2.5 4.5A
SFCS15243R3	18-36	3.3 4.5A
SFCS152405	18-36	5.0 3.0A
SFCS152412	18-36	12 1.25A
SFCS152415	18-36	15 1.0A
SFCS15481R2	36-76	1.2 5.2A
SFCS15481R5	36-76	1.5 5.2A
SFCS15481R8	36-76	1.8 4.5A
SFCS154802	36-76	2.0 4.5A
SFCS15482R5	36-76	2.5 4.5A
SFCS15483R3	36-76	3.3 4.5A
SFCS154805	36-76	5.0 3.0A
SFCS154812	36-76	12 1.25A
SFCS154815	36-76	15 1.0A

Add suffix to designate Mounting Type:

- B = Surface Mount Package
- C = Thru-Hole Mount Package



Download Information:

This specification: <http://www.powergatellc.com/pdfs/SFCS15.pdf>

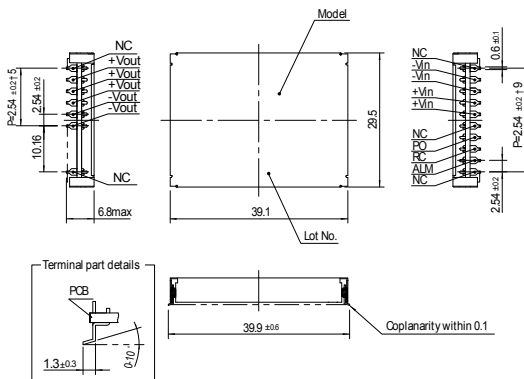
Detailed Spec: <http://www.coselusa.com/pdf/product/parts/SFCS15.pdf>

Instruction Manual: http://www.coselusa.com/pdf/product/CME_SFCS.PDF

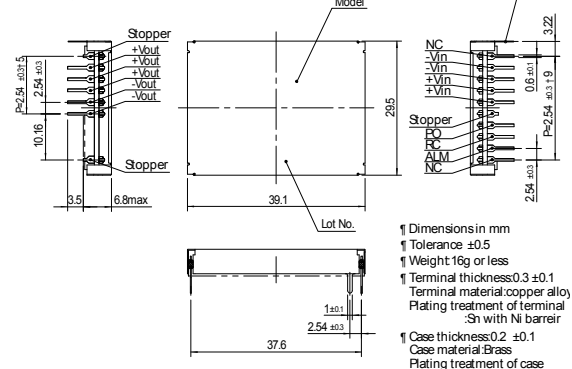
Mechanical Specification:

Specifications are subject to change without notice. If RoHS compliant products are required, please specify clearly on your Purchase Order

1.SMD(Type:B)



2.DIP(Type:C)



- † Dimensions in mm
- † Tolerance ±0.5
- † Weight 16g or less
- † Terminal thickness 0.3±0.1
- † Terminal material copper alloy
- † Plating treatment of terminal Sn with Ni barrier
- † Case thickness 0.2±0.1
- † Case material Brass
- † Plating treatment of case