



8.46 x 4.53 x 1.97"

Input Specifications

Voltage 24V (19-36) / 48V (36-72) / 100 (72-144) VDC Input Ranges
or 85-132 VAC Input Ranges
Efficiency 74-82% depending on model
Isolation 1500 VDC

Output Specifications

Line Regulation 5Vout = ±0.5% / 12Vout = ±0.3% / 24Vout = ±0.2%
Load Regulation 5Vout = ±0.5% / 12Vout = ±0.3% / 24Vout = ±0.2%
Ripple 5Vout = 100mv / 12Vout = 120mv / 24Vout = 150mv pk-pk max
Adjustment Range see output table
Overcurrent Prot. 105-150% of rated current (foldback, auto-recovery)
Over Voltage Prot. 115-150% of rated voltage, automatic shutdown (recycle input)

Features

- * 2:1 wide input range
- * Protections: Short circuit/Over load/Over voltage
- * 1500VDC I/O isolation
- * Built-in EMI filter, low ripple noise
- * Fixed switching frequency at 83KHz
- * High reliability
- * 1 year warranty

Environmental Specifications

Operating Temp -10 ~ +60°C (Refer to output load derating curve)
Storage Temp -20 ~ +85°C
Humidity 20 ~ 90% RH, non-condensing
Vibration 10 ~ 500Hz, 2G 10min./1cycle, 60min. each along X, Y, Z axes

Other Specifications

Safety & Emissions

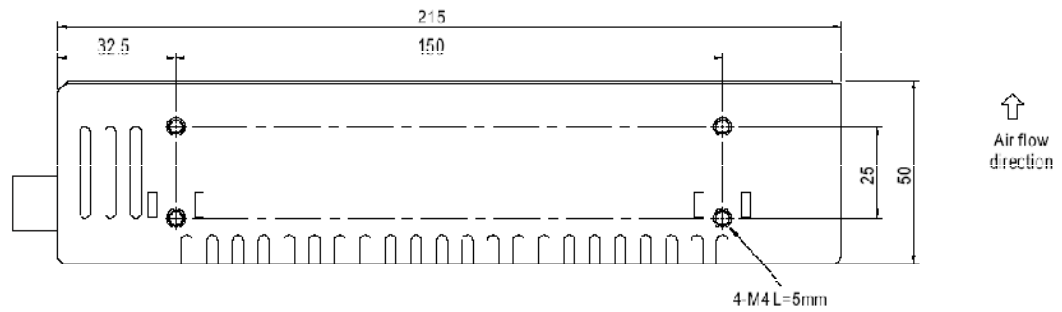
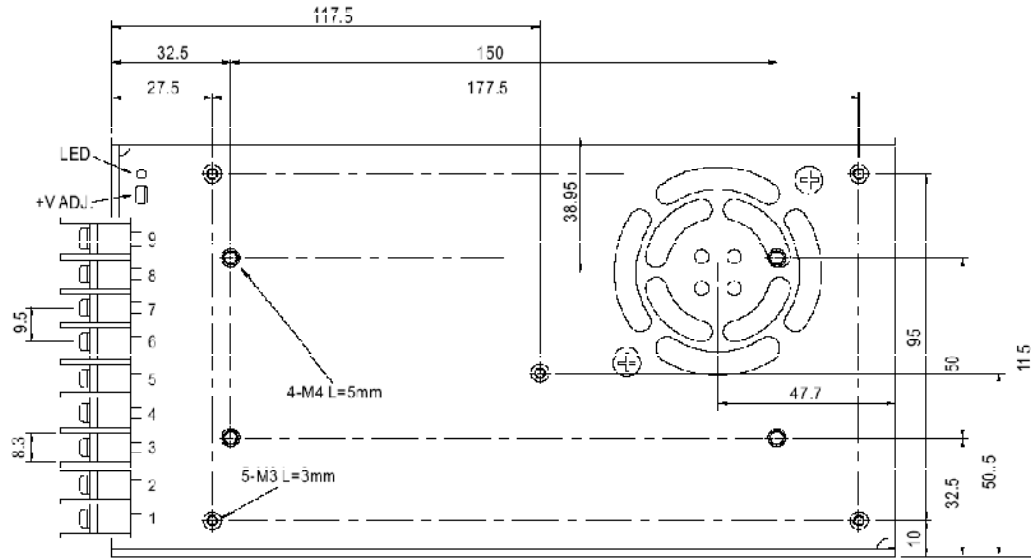
Emissions EN55022 (CISPR22) Class B, ENV50204, EN55024, EN61000-4-2,3,4,6,8; heavy industry level, criteria A
Safety Designed to meet UL & CE (LVD) requirements

Output Models:

Model Number	Input	Output
SD-350B-5	24 (19 - 36 VDC)	5 (4.5 - 5.5) VDC @ 57A
SD-350B-12	24 (19 - 36 VDC)	12 (11 - 16) VDC @ 27.5A
SD-350B-24	24 (19 - 36 VDC)	24 (23 - 30) VDC @ 14.6A
SD-350B-48	24 (19 - 36 VDC)	48 (43 - 53) VDC @ 7.4A
SD-350C-5	48 (36 - 72 VDC)	5 (4.5 - 5.5) VDC @ 57A
SD-350C-12	48 (36 - 72 VDC)	12 (11 - 16) VDC @ 27.5A
SD-350C-24	48 (36 - 72 VDC)	24 (23 - 30) VDC @ 14.6A
SD-350C-48	48 (36 - 72 VDC)	48 (43 - 53) VDC @ 7.4A
SD-350D-5	100 (72 - 144 VDC) or 85-132 VAC	5 (4.5 - 5.5) VDC @ 57A
SD-350D-12	100 (72 - 144 VDC) or 85-132 VAC	12 (11 - 16) VDC @ 27.5A
SD-350D-24	100 (72 - 144 VDC) or 85-132 VAC	24 (23 - 30) VDC @ 14.6A
SD-350D-48	100 (72 - 144 VDC) or 85-132 VAC	48 (43 - 53) VDC @ 7.4A

Mechanical Specification

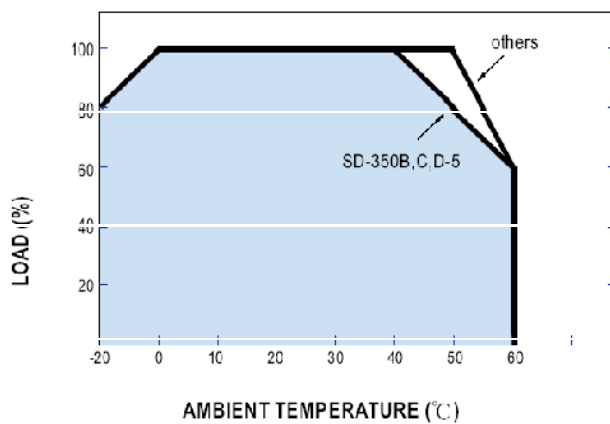
Case No. 912 Unit:mm



Terminal pin number assignment :

Pin No.	Assignment	Pin No.	Assignment
1	DC INPUT V+	4,5,6	DC OUTPUT V-
2	DC INPUT V-	7,8,9	DC OUTPUT V+
3	FG \perp		

Derating Curve



Static Characteristics

