

DESCRIPTION

The PUP150N/PUP150NS Series of AC/DC switching power supplies provide 150 watts of continuous output power. They are enclosed in a 94V-1 rated polyphenylene-oxide case with an IEC 320/C14 or IEC320/C6 inlet to mate with an interchangeable cord for world-wide use. All models meet CISPR 22 and FCC class B emissions limits, and comply with UL, CSA, IEC and CE requirements.

Note: Warranty for PUP150N/PUP150NS series is one year.

FEATURES

- High Efficiency
- Low Ripple & Noise
- Overvoltage Protection
- Short Circuit Protection
- Overpower Protection
- Over Temperature Protection
- 100% Burn-in at Full Load
- Standby Consumption < 0.5W
- CEC and Energy Star Level IV Compliant
- RoHS Compliant

New!!!

INPUT SPECIFICATIONS

Input voltage :	90 to 260VAC
Input frequency :	47 to 63Hz
Input current :	2.0A(rms) for 115VAC 1.0A(rms) for 230VAC
Earth leakage current : (Touch current)	150uA max. @ 115VAC, 60Hz 250uA max. @ 230VAC, 50Hz

OUTPUT SPECIFICATIONS

Output voltage/current :	See rating chart
Total output power :	See rating chart
Ripple and noise :	380mV peak to peak maximum
Overvoltage protection :	Set at 110-140% of its nominal output voltage
Overcurrent protection :	All models protected to short circuit conditions
Temperature coefficient :	All outputs $\pm 0.04\%/^{\circ}\text{C}$ maximum
Transient response :	Maximum excursion of 4% or better on all models, recovering to 1% of final value within 500us after a 25% step load change

ENVIRONMENTAL SPECIFICATIONS

Operating temperature :	0°C to +40°C
Storage temperature :	-20°C to +80°C

PUP150N/PUP150NS SERIES



Safety Standard Approvals :



UL60950-1, CSA C22.2 No. 60950-1
File No. E190414



TUV EN60950-1
Certificate No. S 50136092

GENERAL SPECIFICATIONS

Hold-up time :	3 msec minimum at 100VAC
Turn on delay time :	5 Sec maximum at 100VAC
Power Factor :	0.95 typical
Efficiency :	86% min at 110VAC or 240VAC.
Line regulation :	$\pm 0.5\%$ maximum at full load
Inrush current :	No internal damage
Withstand voltage :	1500VAC from input to output
MTBF :	100,000 hours at full load at 25°C ambient, calculated per MIL-HDBK- 217F
EMC Performance	
EN55022:	Class B conducted, Class B radiated
FCC:	Class B conducted, Class B radiated
VCCI:	Class B conducted, Class B radiated
EN61000-3-2:	Harmonic distortion, Class D
EN61000-3-3:	Line flicker
(EN55024)	
EN61000-4-2:	ESD, $\pm 8\text{KV}$ air and $\pm 4\text{KV}$ contact
EN61000-4-3:	Radiated immunity, 3V/m
EN61000-4-4:	Fast transient/burst, $\pm 1\text{KV}$
EN61000-4-5:	Surge, $\pm 1\text{KV}$ diff., $\pm 2\text{KV}$ com.
EN61000-4-6:	Conducted immunity, 3Vrms
EN61000-4-8:	Magnetic field immunity, 1A/m
EN61000-4-11:	Voltage dips, 30% reduction for 500ms and >95% reduction for 10ms

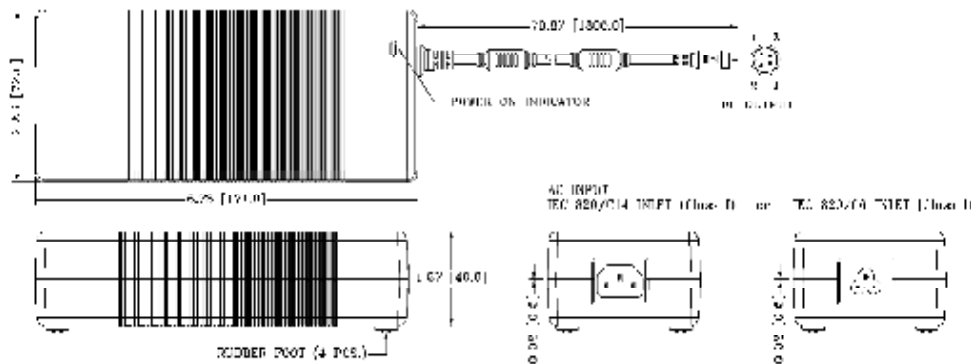
January 2009

OUTPUT VOLTAGE/CURRENT RATING CHART

MODEL	Vnom.	Output			ToL	Maximum Output Power
		I _{max}	I _{min}			
PUP150N-12	12V	12.5A	0A	+3% -7%	150W	
PUP150NS-12						
PUP150N-13-2	19V	7.89A	0A	5%	150W	
PUP150NS-13-2						
PUP150N-14	24V	6.25A	0A	5%	150W	
PUP150NS-14						

NOTE: 1. Ripple and noise: Peak-to-peak with 20MHz bandwidth and 47uF tantalum capacitor in parallel with a 0.1uF ceramic capacitor at rated line voltage and load ranges.
2. To order a model with IEC320/C6 inlet, add suffix "S" to the PUP150N, e.g. PUP150NS-12.

MECHANICAL SPECIFICATIONS



- NOTES:
1. Dimensions shown in inches [mm]
 2. Tolerance 0.02 [0.5] maximum
 3. Weight: 800 grams approx.
 4. Contact factory for optional output connectors. Add the suffix assigned for a selected connector to a selected model number, e.g. PUP150N-14-B1, for ordering.
 5. The length of output cable for PUP150N-12 is 37.4 inches.

PIN CHART

MODEL	PIN	1	2	3	4	Shell of connector
PUP150N-12	PUP150NS-12	Output +V	Output +V	Return	Return	Return
PUP150N-13-2	PUP150NS-13-2					
PUP150N-14	PUP150NS-14					