

LPV-60 Series

60 Watt Models

MeanWell
LED Power Supplies

CLICK HERE TO REQUEST
PRICE | DELIVERY | SAMPLE | SUPPORT

DIMENSIONS: 6.38 x 1.65 x 1.18"



LPS

IP67



FEATURES:

- Constant Voltage Mode Power Supply
- Universal AC Input / Full Range
- UL1310 Class II Safety Approval & pass LPS
- Epoxy encapsulated with IP67 level
- Withstand 300VAC Surge Input for 5 seconds
- Short circuit / Over current / Over voltage Protection
- Cooling by free air convection
- Small and compact size
- Low cost, high reliability
- 2 year warranty



INPUT SPECIFICATIONS:

VOLTAGE	Universal AC input Range (90-264VAC)
FREQUENCY	47-63 Hz
INRUSH	60A max @ 230VAC (cold start)
CURRENT	1.2A max @ 115VAC / 1.00A max @ 230VAC
LEAKAGE	<250μA maximum @ 240 VAC
HOLD-UP	16ms at 115VAC / 50ms @ 230VAC (full load)
EFFICIENCY	76-86% Typical

OUTPUT SPECIFICATIONS:

ADJUSTMENT RANGE	Set at Factory
MINIMUM LOAD	none
REGULATION	±1% Line / ±2% Load (5V model ±6%)
RIPPLE	150mV pk-pk maximum (20MHz)
SETPOINT ACCURACY	±5% (5V model ±8%)
OVER CURRENT	110-150% rated output power (auto-recovery)
OVER VOLTAGE PROTECTION	105-135% of Max Vout (Shutdown)

STATUS & CONTROL SPECIFICATIONS:

ENVIRONMENTAL SPECIFICATIONS:

OPERATING TEMPERATURE	-30- +70°C (refer to de-rating curve)
STORAGE TEMPERATURE	-40°C - +80°C max.
COOLING	Convection Cooled Operation
HUMIDITY	20-90%RH (non-condensing)
VIBRATION	10-500Hz, 2G 10min/1 cycle for 60 min (3 axes)
SHOCK	20G Peak Acceleration
RELIABILITY	732K hours minimum per MIL-HDBK-217F (25°C)
WEIGHT	0.88 lbs / 0.4kg

EMISSIONS:

ELECTROSTATIC DISCHARGE	EN61000-4-2, 4kV Contact / 8kV Air
RADITED SUSCEPTIBILITY	EN61000-4-3, 26-1000MHz, 10V/M, 80%AM
EFT / BURSTS	EN61000-4-4, 2kV
SURGES	EN61000-4-5, 2kV Earth, 1kV Line-Line
CONDUCTED IMMUNITY	EN61000-4-6, 0.15-800MHz, 10V 80%
VOLTAGE DIPS	EN61000-4-10, 95% Dip & 10ms, 30% Dip & 500ms
VOLTAGE INTERRUPTIONS	EN61000-4-11, 95% reduction, 5ms
FLUCTUATIONS & FLICKER	EN61000-3-3

STANDARDS:

SAFETY	UL1310 Class II Approved
SAFETY	IP67 Rated
SAFETY	EN60950-1 / EN61347-2-13 (Designed to meet)
EMISSIONS	EN55022 Class B

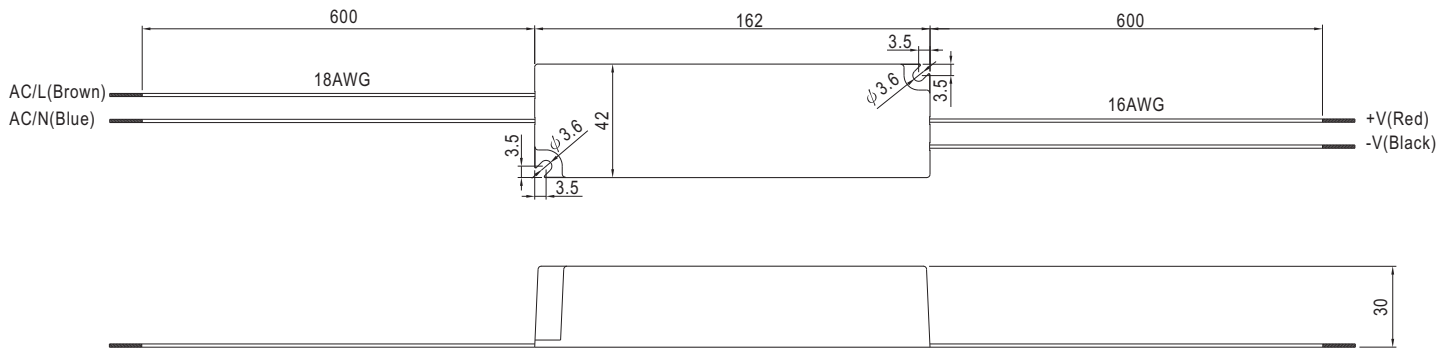
DOWNLOADS:

MODELS:

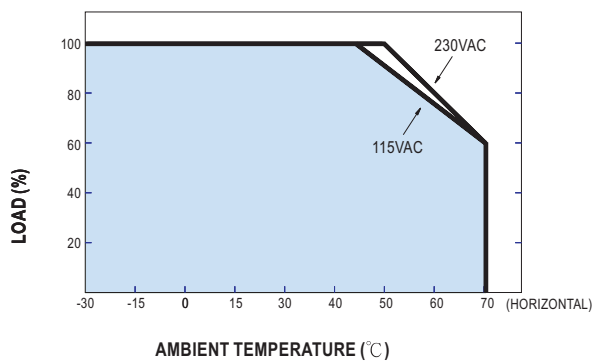
LPV-60-5	5V	8.00A
LPV-60-12	12V	5.00A
LPV-60-15	15V	4.00A
LPV-60-24	24V	2.50A
LPV-60-36	36V	1.67A
LPV-60-48	48V	1.25A

NOTE:

OUTLINE DRAWING:



Derating Curve



Static Characteristics

