

■ Features :

- Constant current mode power supply
- 180-264VAC input only
- Fully encapsulated with IP67 level (Note.6)
- Protections: Short circuit / Over voltage / Over temperature
- Cooling by free air convection
- Class II power unit, no FG
- Pass LPS
- 100% full load burn-in test
- Suitable for LED lighting and moving sign applications
- High reliability / Low cost
- 2 years warranty



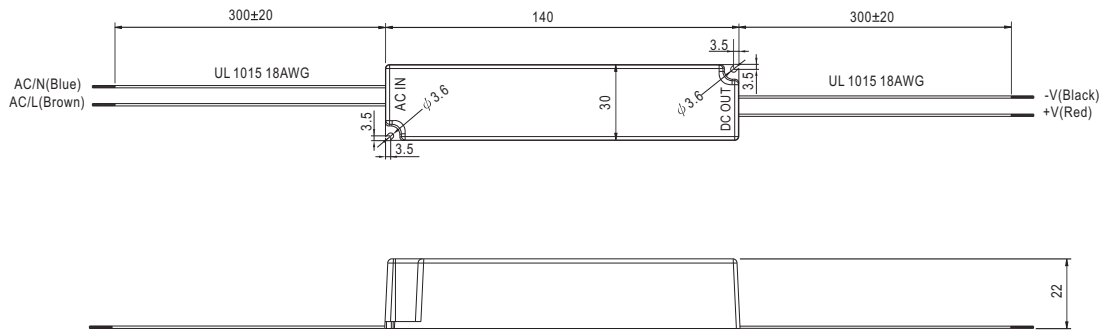
SPECIFICATION

| MODEL | LPHC-18-350 | | LPHC-18-700 |
|-----------------------|---|--|---------------|
| OUTPUT | RATED CURRENT | 350mA | 700mA |
| | DC VOLTAGE RANGE | 6~48V | 6~25V |
| | RATED POWER | 16.8W | 17.5W |
| | RIPPLE & NOISE (max.) Note.2 | 300mVp-p | 250mVp-p |
| | VOLTAGE TOLERANCE Note.3 | ±5.0% | |
| | CURRENT ACCURACY | ±8.0% | |
| | LINE REGULATION | ±1.0% | |
| | LOAD REGULATION | ±3.0% | |
| | SETUP, RISE TIME | 3600ms, 100ms / 230VAC | |
| HOLD UP TIME (Typ.) | 20ms/230VAC at full load | | |
| INPUT | VOLTAGE RANGE | 180 ~ 264VAC 254 ~ 370VDC | |
| | FREQUENCY RANGE | 47 ~ 63Hz | |
| | EFFICIENCY(Typ.) | 80% | 80% |
| | AC CURRENT | 0.3A/230VAC | |
| | INRUSH CURRENT(max.) | Cold start 50A/230VAC | |
| LEAKAGE CURRENT | 0.25mA / 240VAC | | |
| PROTECTION | OVER VOLTAGE | 50.4~ 60V | 28.75~ 33.75V |
| | | Protection type : Shut off o/p voltage, clamping by zener diode | |
| | OVER TEMPERATURE | Tj 170 t ypically (U1) Detect on main control IC | |
| | Protection type : Hiccup mode, recovers automatically after temperature goes down | | |
| ENVIRONMENT | WORKING TEMP. | -30~ +70°C (Refer to "Derating Curve") | |
| | WORKING HUMIDITY | 20 ~ 90% RH non-condensing | |
| | STORAGE TEMP., HUMIDITY | -40 ~ +80°C, 10 ~ 95% RH | |
| | TEMP. COEFFICIENT | ±0.2%/°C (0 ~ 50°C) | |
| | VIBRATION | 10 ~ 500Hz, 2G 10min./1cycle, period for 60min. each along X, Y, Z axes | |
| SAFETY & EMC (Note 5) | SAFETY STANDARDS | IP67 approved; design refer to UL1310 Class 2,TUV EN60950-1, EN61347-2-13, CAN/CSA C22.2 No. 223-M91 | |
| | WITHSTAND VOLTAGE | I/P-O/P:3KVAC | |
| | ISOLATION RESISTANCE | I/P-O/P:>100M Ohms / 500VDC / 25°C / 70% RH | |
| | EMC EMISSION | Compliance to EN55022 (CISPR22) Class B, EN61000-3-2 Class A, EN61000-3-3 | |
| | EMC IMMUNITY | Compliance to EN61000-4-2,3,4,5,6,8,11, EN55024, light industry level, criteria A | |
| OTHERS | MTBF | 1200.6K hrs min. MIL-HDBK-217F (25) | |
| | DIMENSION | 140*30*22(L*W*H) | |
| | PACKING | 0.175Kg; 70pcs/13.3Kgs/0.71CUFT | |
| NOTE | <ol style="list-style-type: none"> 1. All parameters NOT specially mentioned are measured at 230VAC input, rated load and 25°C of ambient temperature. 2. Ripple & noise are measured at 20MHz of bandwidth by using a 12" twisted pair-wire terminated with a 0.1uF & 47uF parallel capacitor. 3. Tolerance : includes set up tolerance, line regulation and load regulation. 4. Derating may be needed under low input voltage. Please check the static characteristic for more details. 5. The power supply is considered as a component that will be operated in combination with final equipment. Since EMC performance will be affected by the complete installation, the final equipment manufacturers must re-qualify EMC Directive on the complete installation again. 6. Suitable for indoor use or outdoor use without direct sunlight exposure. | | |

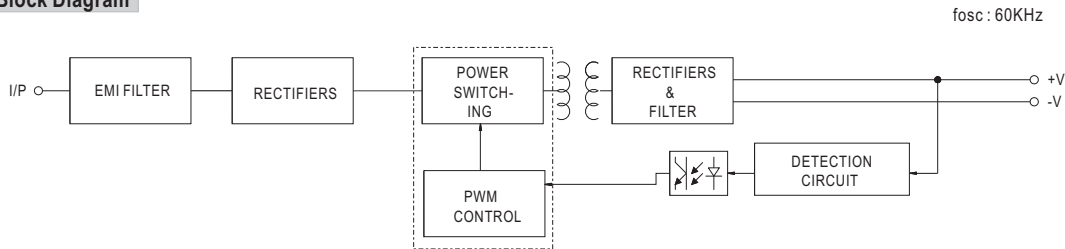
File Name: LPHC-18-SPEC 2011-11-08

Mechanical Specification

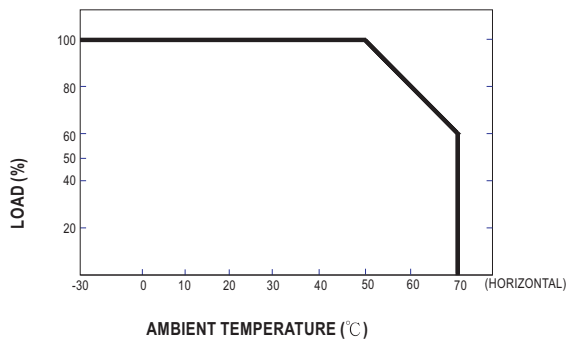
Unit:mm



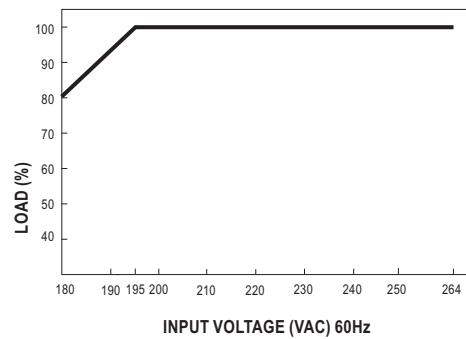
Block Diagram



Derating Curve



Static Characteristics



File Name: LPHC-18-SPEC 2011-11-08