

# AW10 Series

## 10 Watt

### Single Output Wallmount Power Supply

#### Features:

- \* Universal AC Input (90-264VAC / 47-63 Hz)
- \* Green Power for Energy Star / CEC Level IV Compliance
- \* Small 2.95 x 1.35 x 1.83" " North American Wallmount Package
- \* Plastic (UL 94V-0 Rated) Enclosure
- \* 100,000 hours MTBF (25°C Full Load Operation)
- \* Class B Emissions
- \* UL/cUL 60950-1 Safety Approval
- \* 3 Year Warranty



#### Input Specifications:

Input Range	Universal VAC (90-264 VAC) & 120-370 VDC
Input Frequency	47-63 Hz or DC
Inrush Current	25A @ 115VAC / 50A @ 230VAC max (cold start)
Input Current	400mA@ 90 VAC / 180mA@ 200 VAC Maximum
Input Reflected Ripple	FCC 68 part 15 Class B
Efficiency	80% Typical @120VAC (depending on output model)
Input Protection	Single Fused (2 Amp / 250 V)
Hold-up Time	One Cycle Minimum @ 120 VAC and 80% load
Leakage Current	<750µA maximum @ 264 VAC
Harmonics	EN61000-3-2 Class D

#### Output Specifications:

Adjustment Range	Fixed At Factory
Minimum Load	None
Regulation	±5%
Ripple / Noise	±1% or 100mv pk-pk max, whichever is greater
Transient Response	+/- 5% Deviation / < 1msec recovery
Set-Point Accuracy	±2%
Short Circuit Protection	Continuous
Over Load Protection	125-150%, auto-recovery
Over Voltage Protection	n/a

#### Emissions Standards

FCC Part 15J, Part 2	Within Class B Limits
EN55022 / CISPR22	Within Class B Limits

#### Electromagnetic Compatibility:

Electrostatic Discharge	EN61000-4-2, ±4KV Contact / ±8KV Air Discharge
Radiated Susceptibility	EN61000-4-3, 26-1000MHz, 10V/M, 80% AM
EFT / Bursts	EN61000-4-4, ± 2KV
Surges	EN61000-4-5, ±2KV Line-Earth, ±1KV Line-Line
Conducted Immunity	EN61000-4-6, 0.15 - 800MHz, 10V, 80% AM
Voltage Dips	EN61000-4-11, 95% Dip & 10ms, 30% Dip & 500ms
Voltage Interruptions	EN61000-4-11, 95% Reduction, 5s
Radiated Emissions	FCC 68 part 15 Class B
Conducted Emissions	FCC 68 part 15 Class B
Harmonic Current	EN61000-3-2 Class D
Fluctuations & Flicker	EN61000-3-3

#### Environmental Specifications:

Operating Temp	0 ~40°C (De-Rate 5%/1°C Rise To +50°C)
Storage Temp	-20 ~ +85°C
Cooling	Convection Cooled
Temp Co-Efficient	0.4% per °C
Humidity	5 to 95% RH Non-Condensing
Vibration	3 Axes 1 Oct/min, 5 min at 4 Res. 0.75G Pk, 5-500Hz
Shock	20G Peak Acceleration
Reliability	>100k hours MTBF (Full Load and 25°C Operation)

#### International Safety Approvals

Qualified to Meet	UL/cUL 60950-1 Approved, File # E158470
-------------------	---

**AW10 Series**

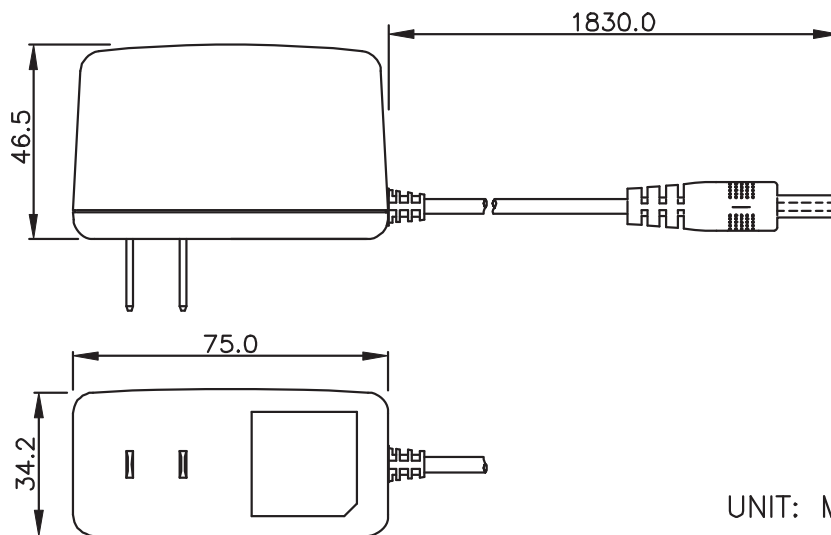
**Output Table:**

Model Number	(Watts)	V1	A1
AW10-5V	8	5 VDC	1600mA
AW10-9V	9	9 VDC	1000mA
AW10-12V	12	12 VDC	1000mA
AW10-15V	12	15 VDC	800mA
AW10-24V	12	24 VDC	500mA
AW10-48V	12	48 VDC	250mA

**Mechanical Specifications:**

Construction: US WALLMOUNT

Weight: 0.245 lb / 0.113 kg



The standard output cable length is 6 feet and terminated with a 5.5 x 2.1 x 12mm barrel jack connector (center positive).

Additional output plugs available upon request, minimum quantities may apply.

UNIT: MM